

## HR2/3 SUPPLEMENTARY ACCESSORY PARTS LIST

# INDEX

DESCRIPTION	KIT NO.	PAGE
<b>ADAPTORS</b>		
SAE#3	572-51720	6
SAE#4	572-51730	8
<b>CLUTCH</b>		
Clutch Drive C110	997-00035	6
Clutch Drive C108	997-00021	6
Twin Disc C108HP4	997-00004	8
<b>ELECTRIC STARTING</b>		
12 Volt Electric Start w/Push Button Switch and Ammeter Complete	997-00005	12
12 Volt Start Motor and Spacer	997-00009	12
Spacer & Fitting Kit	657-21970	12
Alternator Fitting Kit	997-00026	12
24 Volt Electric Start w/Push Button Switch and Ammeter Complete	997-00006	16
24 Volt Start Motor and Spacer	977-00008	16
Alternator Fitting Kit	657-18043	16
<b>FUEL CONTROLS-AUTOMATIC</b>		
Energize to Run Solenoid	997-00025	20
Energize to Stop Solenoid	997-00023	22
Two Speed Control Solenoid	997-00031	24
<b>FUEL FITTINGS</b>		
Fuel Inlet and Return Connector to 1/8" NPT	998-00123	28
<b>GUARDS</b>		
Shaft Guard-Gear End	997-00016	30
Alternator Drive Belt Guard Kit	997-00027	32
LDI - Alternator Belt Guard Kit	997-00044	34
<b>INSTRUMENTS</b>		
Tachometer- Hour Meter	998-00013	36
Oil Pressure Gauge	997-00015	38
<b>TEMPERATURE SWITCH</b>		
High Air Temperature Switch N/O	998-00142	40
High Air Temperature Switch N/C	998-00134	40

This page is intentionally left blank

This page is intentionally left blank

This page is intentionally left blank

This page is intentionally left blank

## HR2/3 CLUTCH DRIVE MEMBER - C110 & C108

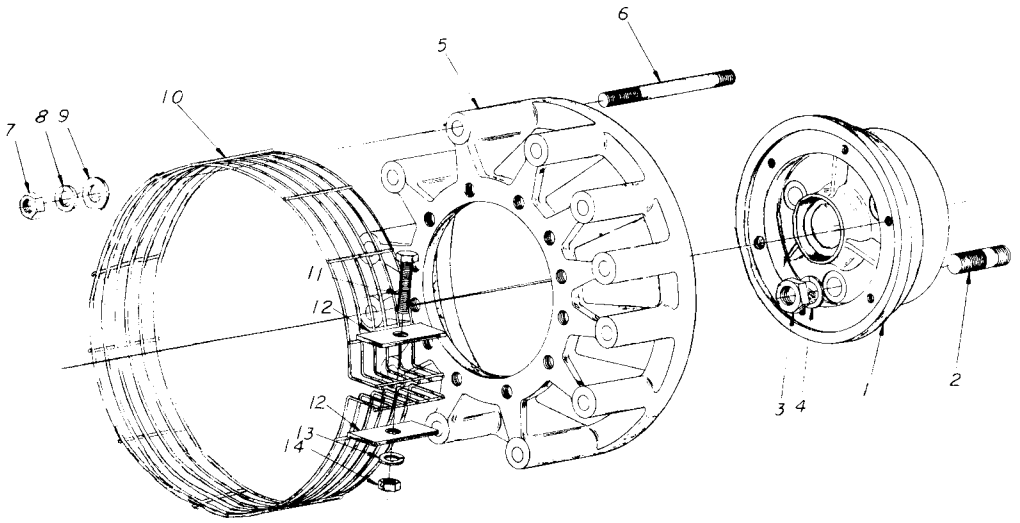
### C110 CLUTCH DRIVE MEMBER ASS'Y ..... 997-00035

DESCRIPTION	PART NO.	QTY
1. 10" CLUTCH DRIVE MEMBER	000-00519	1
2. STUD - 5/8" UNF X 2" Lg.	270-00143	3
3. NUT - 5/8" UNF	270-00008	3
4. SPRING WASHER - 5/8"	027-00395	3
<b>SAE #3 ADAPTOR KIT</b>	<b>572-51720</b>	
5. ADAPTOR - SAE#	382-00216	1
6. SWITCH - 7/16" UNC/UNF X 4-1/4"	270-00394	12
7. NUT - 7/16" UNC/UNF X 4-1/4"	270-00005	12
8. SPRING WASHER - 7/16"	027-00984	12
9. PLAIN WASHER - 7/16"	027-00545	12
10. GUARD	352-12971	2
11. PINCH BOLT- 5/16" UNF X 2-1/4"	270-00066	1
12. CLAMPING PLATE	382-05041	2
13. SPRING WASHER - 5/16"	027-00413	1
14. NUT - 5/16" UNF	270-00003	1

### \*C108 CLUTCH DRIVE MEMBER ASS'Y ..... 997-00021

DESCRIPTION	PART NO.	QTY
1. 8" CLUTCH DRIVE MEMBER	364-02107	1
2. STUD - 5/8" UNF X 2" Lg.	270-00143	3
3. NUT - 5/8" UNF	270-00008	3
4. SPRING WASHER - 5/8"	027-00395	3

\*NOTE:C108 CLUTCH DRIVE MEMBER ASS'Y DOES NOT INCLUDE SAE ADAPTOR.



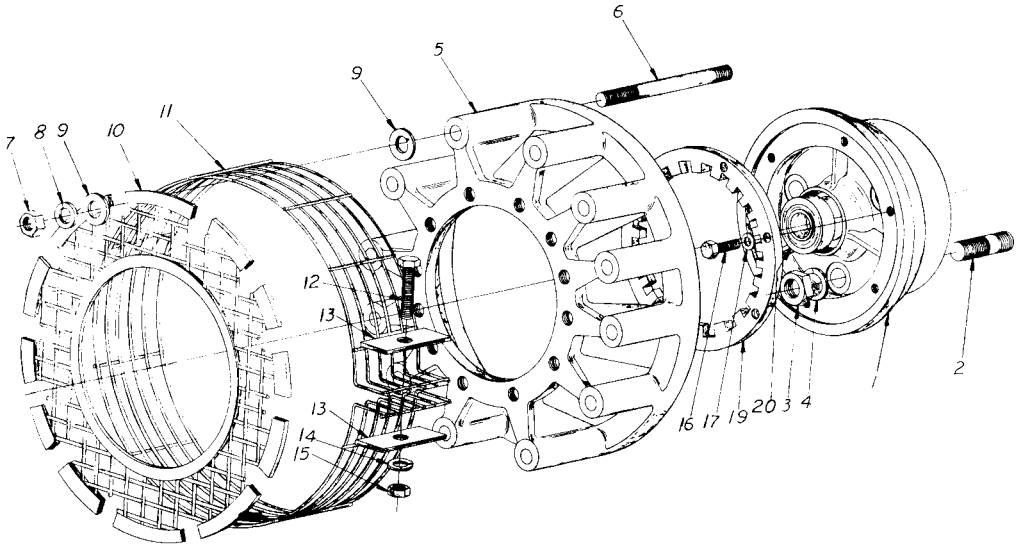
1-2570/1

CLUTCH DRIVE MEMBER — C110 & C108 — HR2/3

# HR2/3 C-198HP4 TWIN DISC CLUTCH

CLUTCH - TWIN DISC - C108HP4 KIT ..... 997-00004

DESCRIPTION	PART NO.	QTY
<b>CLUTCH DRIVE MEMBER ASSEMBLY</b>	<b>997-00021</b>	
1. DRIVE MEMBER - Clutch 8"	364-02107	1
2. STUD - 5/8" UNF X 2"Lg.	270-00143	3
3. NUT - 5/8" UNF	270-00008	3
4. SPRING WASHER - 5/8"	072-00395	3
<b>SAE #4 ADAPTOR KIT</b>	<b>572-51730</b>	
5. ADAPTOR - SAE#	382-00143	1
6. STUD - 7/16" UNC/UNF X 4-1/4" Lg.	270-00394	12
7. NUT - 7/16" UNF	270-00005	12
8. SPRING WASHER - 7/16"	027-00984	12
9. PLAIN WASHER - 7/16"	027-00545	24
10. GUARD - Adaptor	382-00145	1
11. GUARD - Adaptor	382-00144	1
12. PINCH BOLT - 5/16" UNF X 2-1/4" Lg.	270-00066	1
13. CLAMPING PLATE	382-05041	2
14. SPRING WASHER - 5/16"	027-00413	1
15. NUT - 5/16" UNF	270-00003	1
16. SCREW - 3/8"UNF X 1-1/4" Lg.	270-00074	6
17. SPRING WASHER - 3/8"	027-00393	6
18. CLUTCH - Twin Disc	000-00061	1
19. DRIVING RING	W/CLUTCH	1
20. BEARING	W/CLUTCH	1
21. HAND LEVER	W/CLUTCH	1
22. SCREW - 3/8" UNC X 1" Lg.	270-00288	12
23. SPRING WASHER - 3/8"	027-00393	12



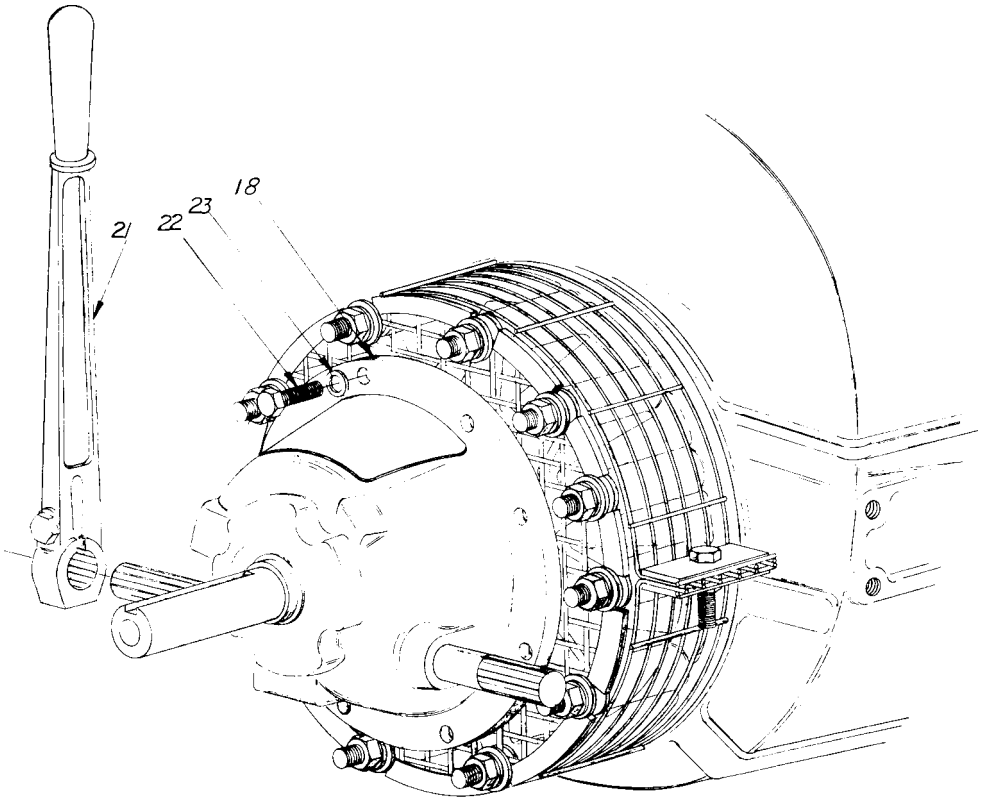
1-2570/2

C-198HP4 TWIN DISC CLUTCH — HR2/3

# HR2/3 C-198HP4 TWIN DISC CLUTCH

CLUTCH - TWIN DISC - C108HP4 KIT ..... 997-00004

DESCRIPTION	PART NO.	QTY
<b>CLUTCH DRIVE MEMBER ASSEMBLY</b>	<b>997-00021</b>	
1. DRIVE MEMBER - Clutch 8"	364-02107	1
2. STUD - 5/8" UNF X 2"Lg.	270-00143	3
3. NUT - 5/8" UNF	270-00008	3
4. SPRING WASHER - 5/8"	072-00395	3
<b>SAE #4 ADAPTOR KIT</b>	<b>572-51730</b>	
5. ADAPTOR - SAE#	382-00143	1
6. STUD - 7/16" UNC/UNF X 4-1/4" Lg.	270-00394	12
7. NUT - 7/16" UNF	270-00005	12
8. SPRING WASHER - 7/16"	027-00984	12
9. PLAIN WASHER - 7/16"	027-00545	24
10. GUARD - Adaptor	382-00145	1
11. GUARD - Adaptor	382-00144	1
12. PINCH BOLT - 5/16" UNF X 2-1/4" Lg.	270-00066	1
13. CLAMPING PLATE	382-05041	2
14. SPRING WASHER - 5/16"	027-00413	1
15. NUT - 5/16" UNF	270-00003	1
16. SCREW - 3/8"UNF X 1-1/4" Lg.	270-00074	6
17. SPRING WASHER - 3/8"	027-00393	6
18. CLUTCH - Twin Disc	000-00061	1
19. DRIVING RING	W/CLUTCH	1
20. BEARING	W/CLUTCH	1
21. HAND LEVER	W/CLUTCH	1
22. SCREW - 3/8" UNC X 1" Lg.	270-00288	12
23. SPRING WASHER - 3/8"	027-00393	12



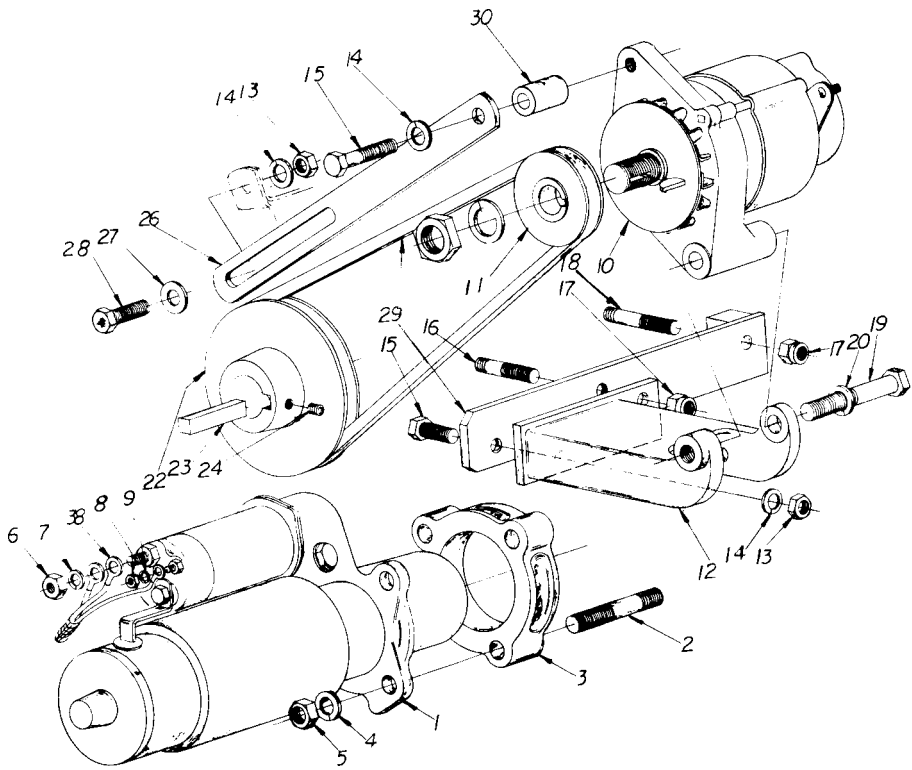
1-2570/2

C-198HP4 TWIN DISC CLUTCH — HR2/3

# HR2/3 ELECTRIC STARTING ASSEMBLY - 12V MOTOROLA ALTERNATOR & DELCO STARTER

12V ELECTRICAL STARTING KIT ..... 997-00005

	DESCRIPTION	PART NO.	QTY
	<b>12 VOLT ELECTRIC START MOTOR ONLY WITH SPACER KIT</b>	<b>997-00009</b>	
1.	STARTER MOTOR	000-00020	1
	<b>SPACER &amp; FIXING KIT</b>	<b>657-21970</b>	
2.	STUD - 3/8" UNF X 3" Lg.	270-00323	3
3.	SPACER	351-10880	1
4.	SPRING WASHER - 3/8"	027-00393	3
5.	NUT - 3/8" UNF	270-00004	3
6.	NUT - 3/8" UNC, Brass	000-00562	1
7.	SPRING WASHER - Starter	064-02582/E	1
8.	NUT- Starter, #8 - 32	101-00600	1
9.	SPRING WASHER - Starter	064-02582/A	1
10.	ALTERNATOR - With Fan	000-00032	1
11.	PULLEY - Alternator	000-00040	1
	<b>ALTERNATOR &amp; STARTER FITTING KIT</b>	<b>997-00026</b>	
12.	MOUNTING BRACKET- Alternator	382-02553	1
13.	NUT - 5/16" UNF	270-00003	1
14.	SPRING WASHER - 5/16"	027-00413	5
15.	BOLT - Alternator, 5/16" UNF X 1-1/2" Lg.	270-00410	1
16.	STUD - 5/16" UNF X 1-1/2" Lg.	270-00083	1
17.	NUT - Self Locking, 5/16" UNF	270-00154	2
18.	STUD- 5/16" UNF X 1-3/4" Lg.	270-00084	1
19.	BOLT- Hex Head, 3/8" UNF X 3" Lg.	270-00149	1
20.	SPRING WASHER - 3/8"	027-00393	1
21.	MOUNTING PLATE - Alternator	382-02552	1



**ELECTRIC STARTING ASSEMBLY—**

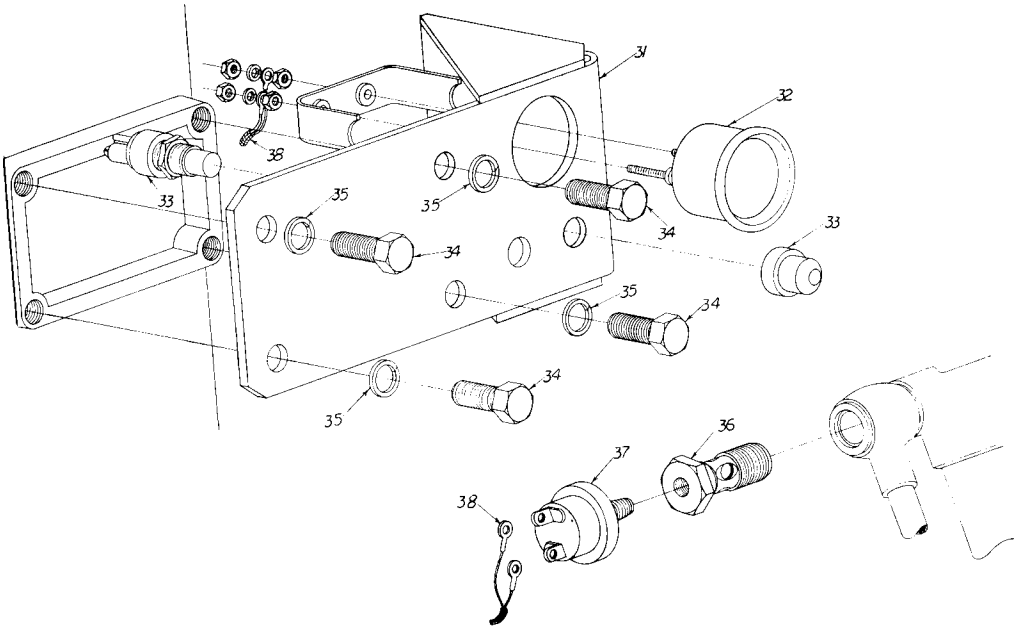
**12 V. MOTOROLA ALTERNATOR & DELCO STARTER—HR2/3**

1-2868/10

# HR2/3 ELECTRIC STARTING ASSEMBLY - 12V MOTOROLA ALTERNATOR & DELCO STARTER

## ALTERNATOR & STARTING FITTING KIT - (continued)

DESCRIPTION	PART NO.	QTY
22. PULLEY - Crankshaft	000-00357	1
23. KEY - Crankshaft Pulley	027-05784	1
24. SOCKET SETSCREW - Crankshaft Pulley 3/8" UNF X 3/8" Lg.	270-00225	1
25. V-BELT	351-12320	1
26. ADJUSTING LINK	351-12400	1
27. PLAIN Washer - 5/16"	027-00082	1
28. BOLT- Hex Head, 5/16" UNF X 3/4" Lg.	270-00060	1
29. BOLT- Hex Head, 5/16" UNF X 1" Lg.	270-00061	1
30. DISTANCE PIECE - Alternator	351-16621	1
31. BRACKET - Ammeter	000-00787	1
32. AMMETER	000-00030	1
33. SWITCH - Push Button	000-00031	1
34. SCREW - Bracket, 1/2" UNC X 1" Lg.	270-00591	4
35. SPRING WASHER - 1/2"	027-00394	4
36. PLUG - Oil Pressure Switch	000-00225	1
37. SWITCH - Pressure	000-00033	1
38. WIRING HARNESS	000-00295	1



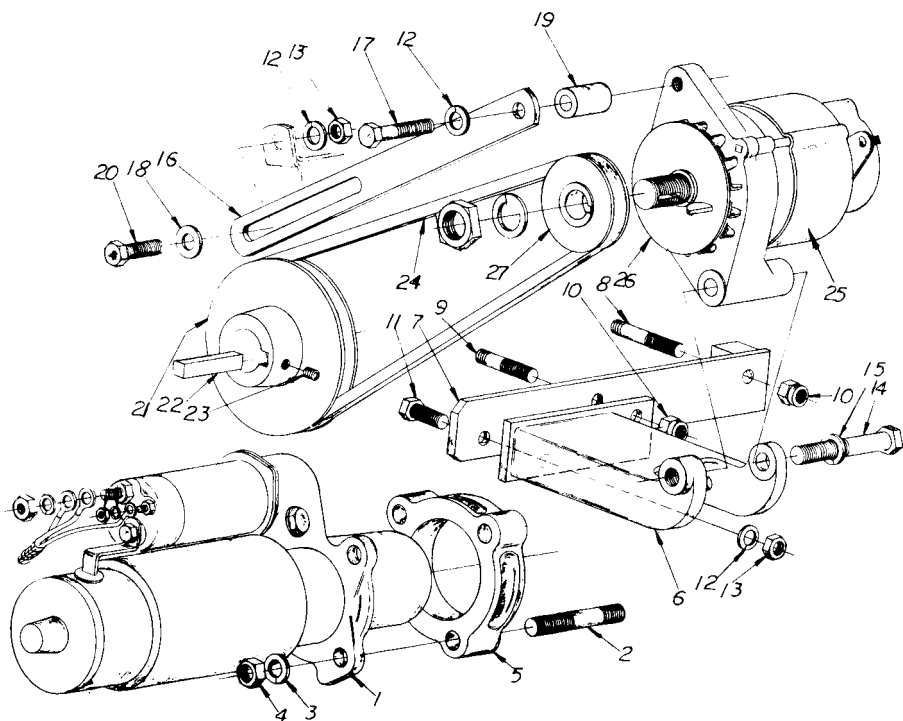
1-2591/9

ELECTRIC STARTING ASSEMBLY — 12 V. MOTOROLA ALTERNATOR & DELCO STARTER — HR2/3

# HR2/3 24 VOLT ELECTRIC START WITH DELCO STARTER & MOTOROLA ALTERNATOR

STARTER AND MOTOROLA ALTERNATOR KIT ..... 997-00006

	DESCRIPTION	PART NO.	QTY
	<b>24 VOLT ELECTRIC START MOTOR ONLY WITH SPACER KIT</b>	<b>997-00008</b>	
1.	START MOTOR	000-00022	1
	<b>SPACER FIXING KIT</b>	<b>657-28170</b>	
2.	STUD - 3/8" UNF/UNC X 3" Lg.	270-00323	3
3.	SPRING WASHER - 3/8"	027-00393	3
4.	DISTANCE PIECE	351-10880	1
5.	NUT - 3/8" UNF	270-00004	1
	<b>ALTERNATOR FITTING KIT</b>	<b>657-18043</b>	
6.	ALTERNATOR MOUNTING PLATE	382-02552	1
7.	ALTERNATOR MOUNTING BRACKET	382-02553	1
8.	STUD - 5/16" UNF X 1-3/4" Lg.	270-00084	1
9.	STUD-5/16" UNF X 1-1/2" Lg.	270-00083	1
10.	SELF LOCKING NUT - 5/16" UNF	270-00154	2
11.	BOLT - 5/16" UNF X 1" Lg.	270-00061	1
12.	SPRING WASHER	027-00413	5
13.	NUT - 5/16" UNF	270-00003	2
14.	BOLT - 3/8" UNF X 3" Lg.	270-00149	1
15.	SPRING WASHER - 3/8"	027-00393	1
16.	ADJUSTING LINK	351-12400	1
17.	BOLT - 5/16" UNC X 7/8" Lg.	270-00405	1
18.	PLAIN WASHER - 5/16"	027-00082	1
19.	DISTANCE PIECE	351-16621	1
20.	BOLT - 5/16" UNF X 3/4" Lg.	270-00060	1
21.	DRIVING PULLEY (RAL Ref: #366-02953)	000-00357	1
22.	DRIVING PULLEY KEY	027-05784	1

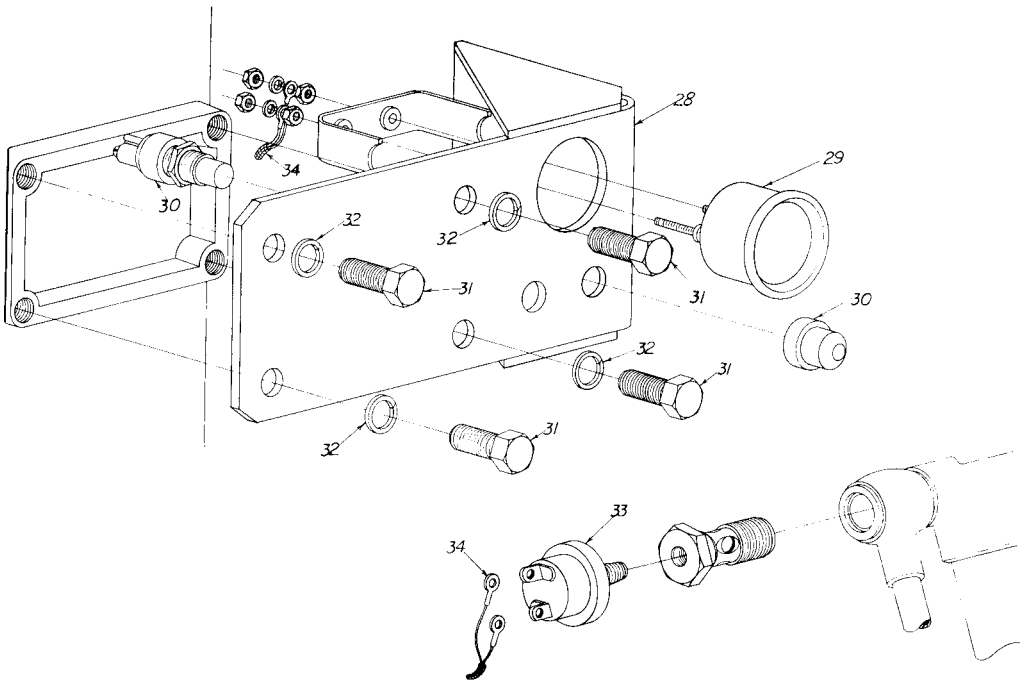


1-2591/11 24 VOLT ELECTRIC START WITH DELCO STARTER & MOTOROLA ALTERNATOR—HR2/3

# HR2/3 24 VOLT ELECTRIC START WITH DELCO STARTER & MOTOROLA ALTERNATOR

## ALTERNATOR FITTING KIT - (continued)

DESCRIPTION	PART NO.	QTY
23. DRIVING SET SCREW - 3/8" UNF X 3/8" Lg.	270-00225	1
24. V-BELT	351-12320	1
25. ALTERNATOR w/Fan	000-00050	1
26. FAN	000-00043	1
27. PULLEY	000-00040	1
28. AMMETER MOUNTING BRACKET	000-00787	1
29. AMMETER	000-00030	1
30. SWITCH - Push Button	000-00031	1
31. CAPSCREW - Bracket Mounting, 1/2" - 13 UNC X 1" Lg.	270-00591	4
32. LOCKWASHER - 1/2"	027-00394	4
33. PRESSURE SWITCH	000-00033	1
34. WIRING HARNESS	000-00424	1
- ALTERNATOR REGULATOR	000-00052	1
- RESISTOR - 150 OHM	000-00041	1
- CABLE	000-00038	1
- CABLE	000-00201	1
- ALTERNATOR SPACER	000-00001	1
- CAPSCREW, Resistor Mounting	270-00235	1



1-2591/11

24 VOLT ELECTRIC START WITH DELCO STARTER & MOTOROLA ALTERNATOR — HR2/3

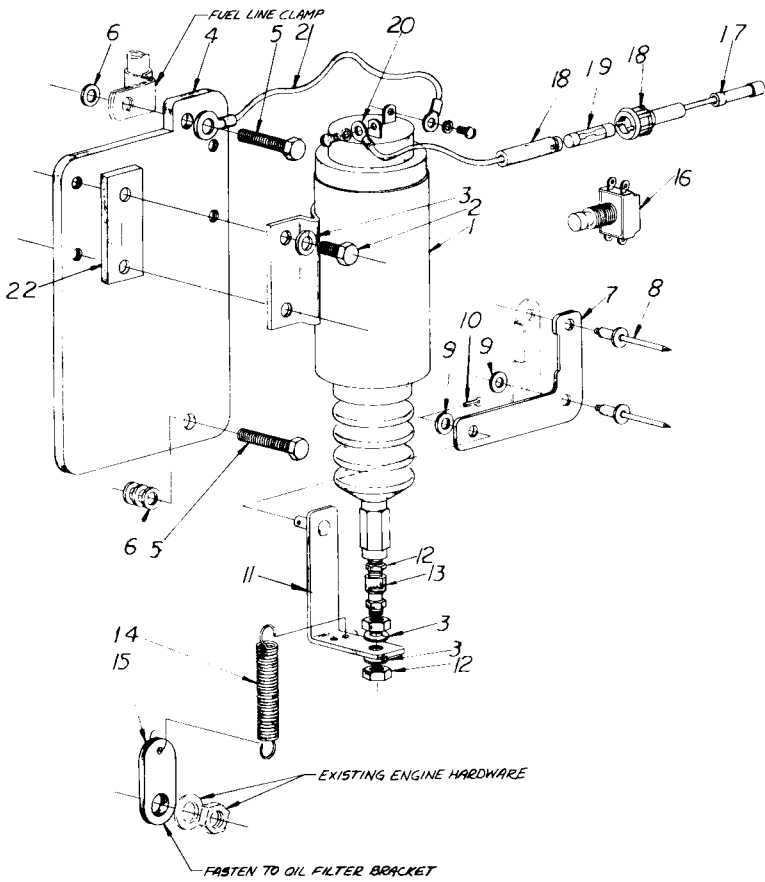
# HR2/3 AUTOMATIC FUEL CONTROL SOLENOID - ENERGIZED TO RUN

FUEL CONTROL SOLENOID - ENERGIZED TO RUN ..... 997-00025

	DESCRIPTION	PART NO.	QTY
1.	SOLENOID	000-00569	1
2.	CAPSCREW- Hex Head, 1/4" UNF X 3/8" Lg.	270-00294	4
3.	SPRING WASHER - 1/4"	270-03925	6
4.	PLATE-Mounting, Solenoid	000-00590	1
5.	SCREW- 3/4 1/4" UNC X 1" Lg.	270-00262	2
6.	COPPER WASHER - 1/4"	101-00607	4
7.	LEVER - Shutdown	000-00591	2
8.	POP RIVET - 3/16" Short	000-00616	2
9.	FLAT WASHER	027-01698	4
10.	COTTER PIN	027-02012	1
11.	LINK - Solenoid	000-00593	1
12.	NUT - 1/4" UNF	270-00340	3
13.	IN-LINE SWIVEL	000-01121	1
14.	SPRING - Return	000-00633	1
15.	RETAINER - Spring	000-00592	1
16.	SWITCH - Pushbutton, Shutdown	000-00723	1
17.	BUTT CONNECTOR	101-00404	1
18.	FUSE HOLDER - 1/4" Fuse	000-00526	1
19.	FUSE-10AGC	000-00526	1
20.	TERMINAL - Ring #10	101-00402	1
21.	WIRE LEAD	000-00599	1
22.	SPACER	000-01121	2

**(If Above BATTERY CHARGING ALTERNATOR Is Used, Add To Above Kit:)**

-	DIODE	000-00044	1
---	-------	-----------	---

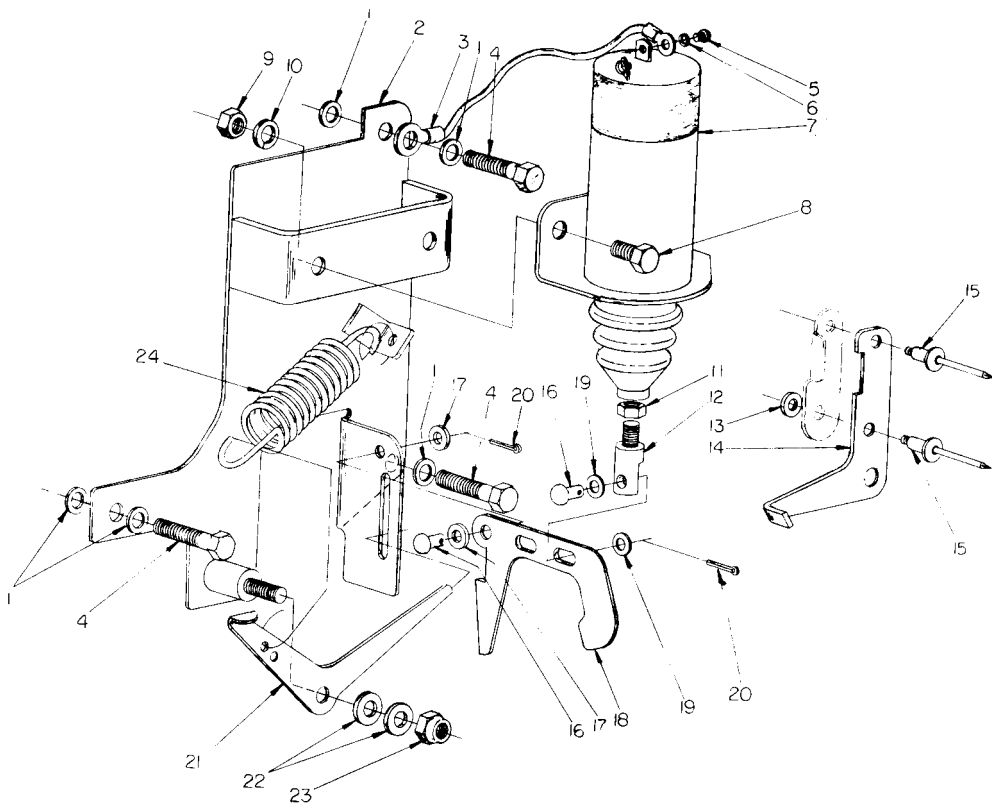


1-2566/8    **AUTOMATIC FUEL CONTROL SOLENOID — ENERGIZED TO RUN — HR2/3**

# HR2/3 AUTOMATIC FUEL CONTROL SOLENOID - ENERGIZED TO STOP

12 VDC (ENERGIZED TO STOP) SOLENOID KIT ..... 997-00023

	DESCRIPTION	PART NO.	QTY
1.	JOINT- 1/4", Crankcase Door	291-26090	6
2.	BRACKET - Solenoid Support	000-00571	1
3.	WIRE LEAD	000-00599	1
4.	BOLT - Hex Head, 1/4" UNC X 1" Lg.	270-00262	3
7.	SOLENOID	000-00609	1
8.	SCREW - Solenoid Mt., 1/4" UNC X 5/8" Lg.	270-00285	2
9.	NUT - 1/4" UNC	000-00615	2
10.	SPRING WASHER - 1/4"	027-00451	2
11.	NUT - 1/4" UNC	270-00002	1
12.	CONNECTOR	366-06846	1
13.	WASHER - 3/16" Plain	027-01698	1
14.	LEVER - Shutdown	000-00572	1
15.	POP RIVET - 3/16" Short	000-00616	2
16.	CLEVIS PIN	000-00269	2
17.	WASHER - #10SAE	000-00523	2
18.	LEVER - Trip	000-00467	1
19.	WASHER - 3/16" Brass	064-02580/D	2
20.	SPLIT PIN -.06" X 1/2"	064-06722/C	2
21.	PIVOT PIN	000-00570	1
22.	WASHER - 1/4" Plain	064-06612/F	2
23.	NUT - 1/4" Locking	270-00153	1
24.	SPRING	064-09688	1



I-2593/6

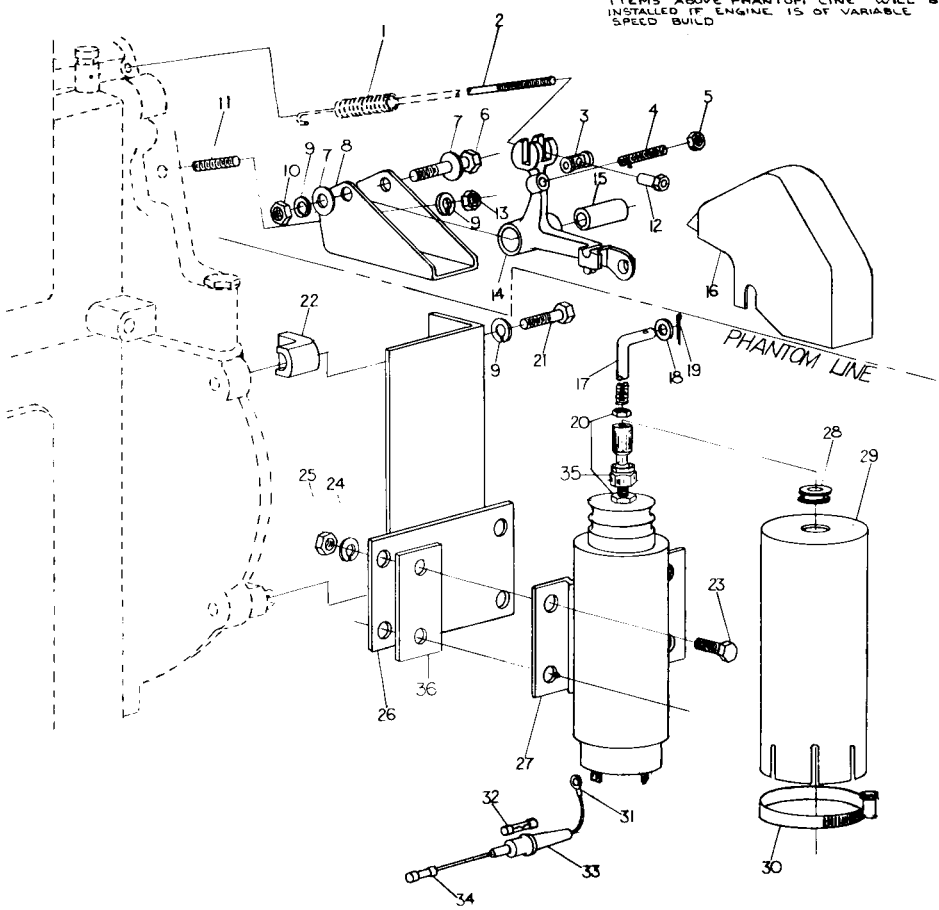
**AUTOMATIC FUEL CONTROL SOLENOID— ENERGIZED TO STOP— HR2/3**

# HR2/3 TWO SPEED CONTROL SOLENOID

TWO SPEED CONTROL SOLENOID ASSEMBLY KIT ..... 997-00031

	DESCRIPTION	PART NO.	QTY
1.	SPEEDER SPRING	351-11013	1
2.	CONNECTING SPINDLE	351-12490	1
3.	TRUNNION ASSEMBLY	572-10120	1
4.	ADJUSTING SCREW	351-12560	1
5.	NUT - 1/4" UNF	270-00002	1
6.	BOLT - Brass 5/16" UNF X 1-3/4" Lg.	270-00370	1
7.	PLAIN WASHER - 5/16"	064-06612/H	2
8.	BRACKET	351-12511	1
9.	SPRING WASHER - 5/16"	027-00413	3
10.	NUT-Brass, 5/16" UNF	270-00014	1
11.	STUD - 5/16" UNF X 1-1/4" Lg.	270-00242	1
12.	NUT - Adjusting	291-22310	1
13.	NUT - 5/16" UNF	270-00003	1
14.	OPERATING LEVER	000-00804	1
15.	DISTANCE PIECE	351-16160	1
16.	GUARD ASSEMBLY	351-16150	1
17.	CONTROL ROD	000-00785	1
18.	PLAIN WASHER - 1/4"	064-02580/F	1
19.	COTTER PIN - 1/16" Dia. X 1/4" Lg.	027-02012	1
20.	LOCKNUT - 1/4" UNF	270-00340	1
21.	BOLT - 5/16" UNF X 1-1/4" Lg.	270-00182	1
22.	CLAMP - End Cover	351-11401	1
23.	SCREW -1/4" UNC X 1" Lg.	270-00262	4
24.	SPRING WASHER -1/4"	027-00451	4
25.	NUT- 1/4" UNC	101-00601	4
26.	BRACKET - Solenoid	000-00786	1
27.	SOLENOID - 12 Volt	000-00859	1
28.	GROMMET	000-00810	1
29.	BOOT GUARD	000-00809	1
30.	HOSE CLAMP	027-04233	1
31.	TERMINAL	101-00402	1
32.	FUSE -10AGC	000-00526	1
33.	FUSE HOLDER	101-00405	1

NOTE: ITEMS ABOVE PHANTOM LINE WILL BE INSTALLED IF ENGINE IS OF VARIABLE SPEED BUILD



1-2871/5

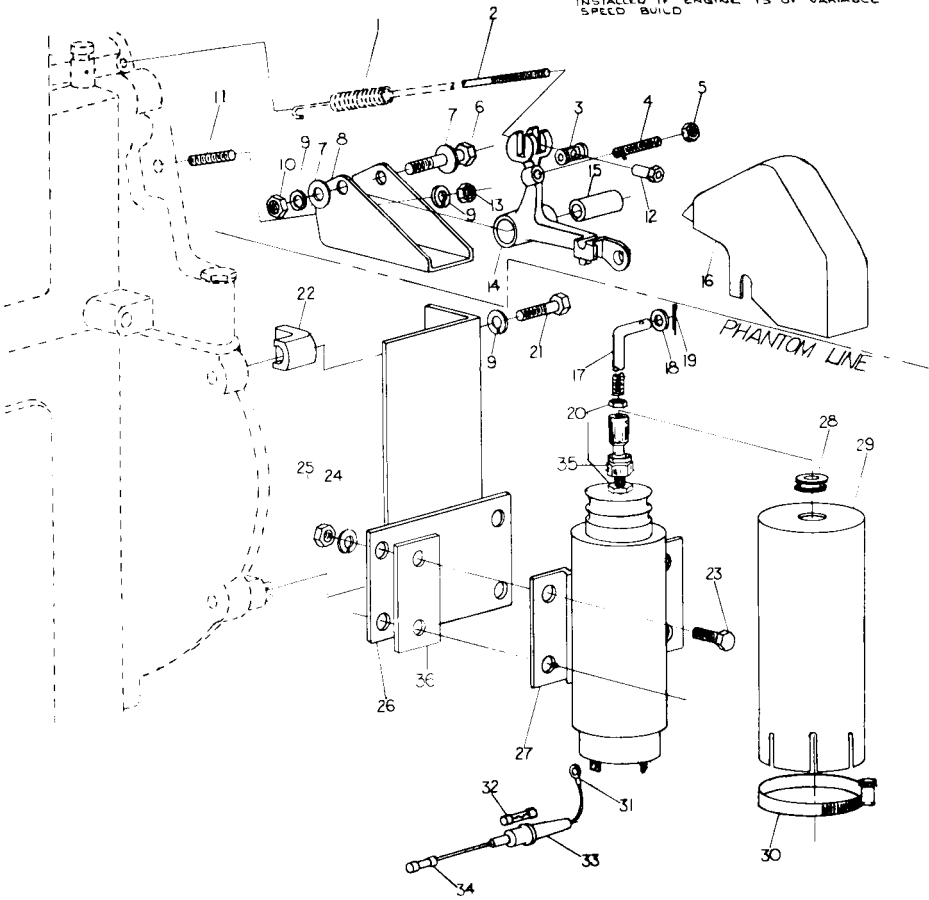
**TWO SPEED CONTROL SOLENOID — HR2/3**

## **HR2/3 TWO SPEED CONTROL SOLENOID**

### **TWO SPEED CONTROL SOLENOID ASSEMBLY KIT-(cont')**

	DESCRIPTION	PART NO.	QTY
34.	BUTT CONNECTOR	101-00404	1
35.	IN LINE SWIVEL	000-01121	1
36.	DISTANCE PIECE	000-01120	2

NOTE: ITEMS ABOVE PHANTOM LINE WILL BE INSTALLED IF ENGINE IS OF VARIABLE SPEED BUILD



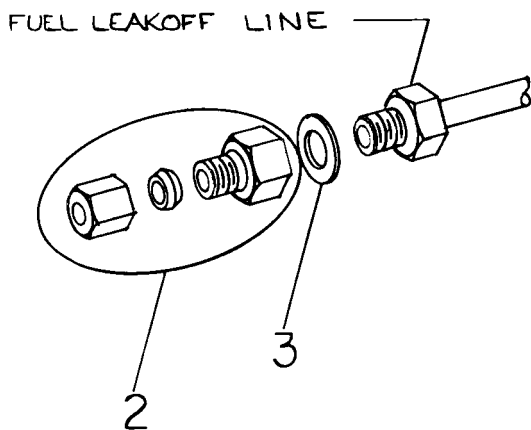
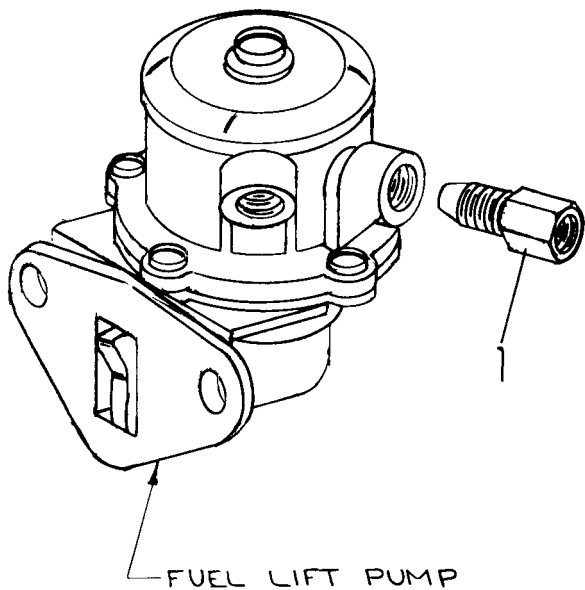
1-2871/5

TWO SPEED CONTROL SOLENOID—HR2/3

## **HR2/3 FUEL INLET & RETURN CONNECTOR**

**FUEL INLET AND RETURN CONNECTORS TO 1/8" FEMALE N.P.T. .... 998-00123**

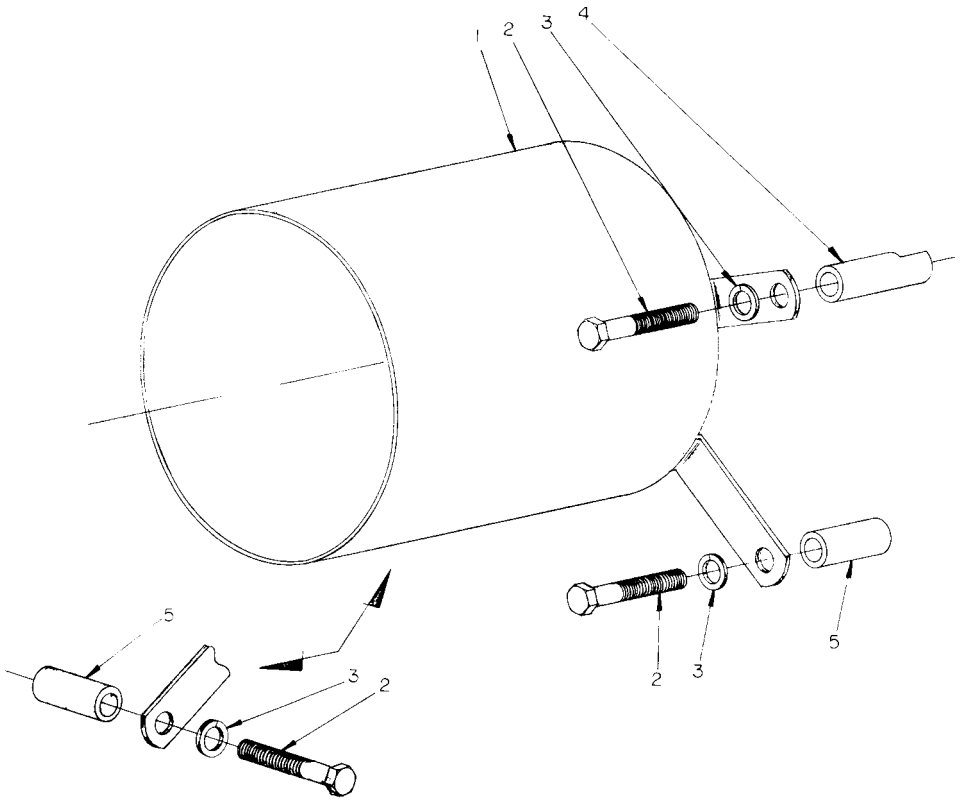
	DESCRIPTION	PART NO.	QTY
1.	FUEL PUMP INLET CONNECTOR	000-00568	1
2.	FUEL RETURN CONNECTOR	000-00567	1
3.	GASKET	600-00106	1



# HR2/3 CAMSHAFT GUARD

SHAFT GUARD - Gear End Kit ..... 997-00016

	DESCRIPTION	PART NO.	QTY
1.	GUARD - Shaft	000-00336	1
2.	BOLT - Hex Head, 5/16" UNF X 2-1/2" Lg.	270-00067	3
3.	SPRING WASHER - 5/16"	027-00413	1
4.	DISTANCE PIECE - 5/16"	000-00477	1
5.	DISTANCE PIECE - 5/16"	000-00337	2



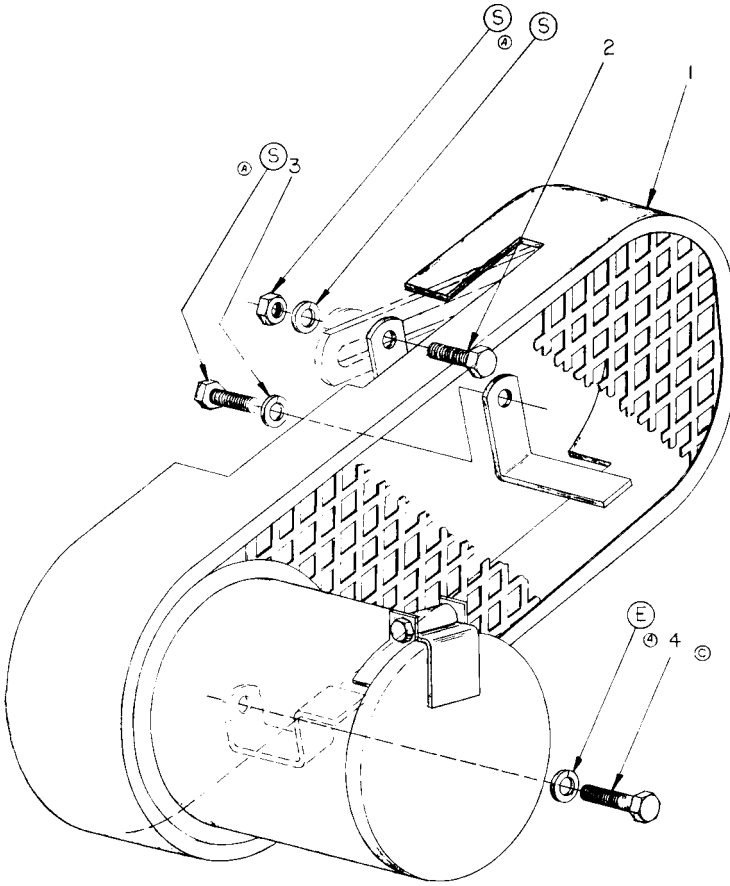
1-259714

CAMSHAFT GUARD—HR2/3

# HR2/3 ELECTRIC START BELT GUARD

ELECTRIC START BELT GUARD KIT ..... 997-00027

	DESCRIPTION	PART NO.	QTY
1.	BELT GUARD	382-07448	1
2.	BOLT - 5/16" - 24 X 1"	270-00061	1
3.	SPRING WASHER - 5/16"	027-00413	1
4.	BOLT - 5/16" - 24 X 1-3/8" Lg.	270-00062	1



Ⓐ **INSTALLATION INSTRUCTIONS:**

1. REMOVE BOLT & DELETE FLAT WASHER FROM END COVER ADJUSTING STRAP MOUNT. REPLACE WITH BOLT 270-00061 & EXISTING NUT & LOCK WASHER
2. USE EXTRA BOLT & LOCK WASHER 027-00413 TO FASTEN GUARD AT REAR.
3. REMOVE LOWER END COVER BOLT & LOCK WASHER & FASTEN BOTTOM TAB.
- Ⓑ 4. REMOVE END COVER BOLT, MOUNT GUARD & REPLACE BOLT WITH BOLT 270-00062.

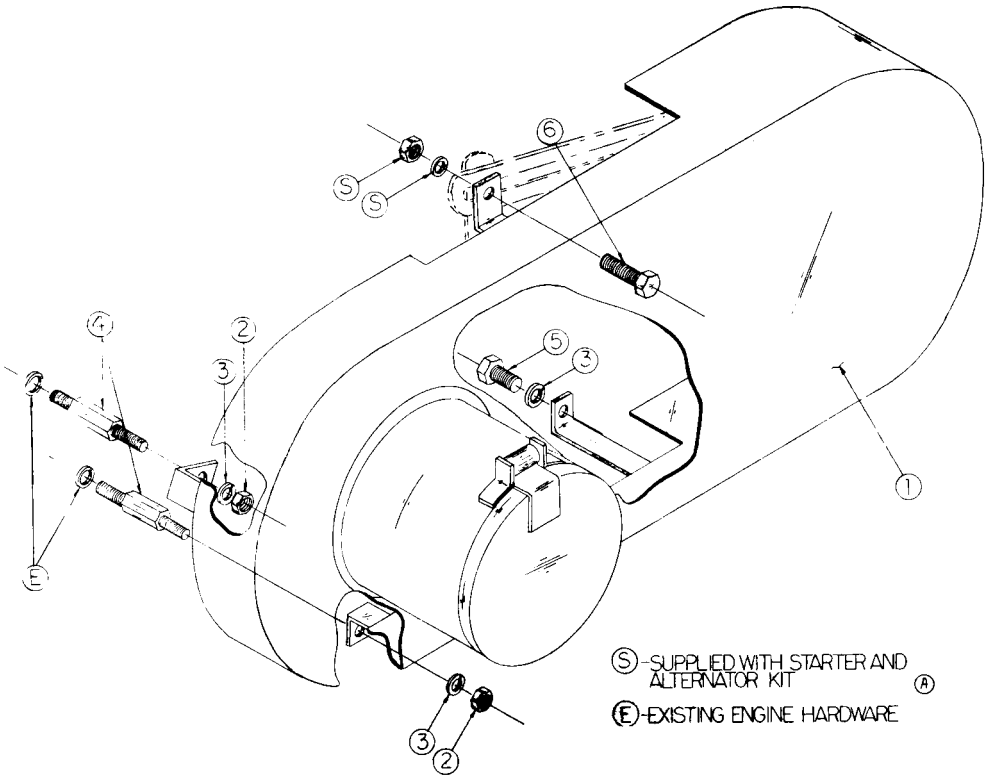
Ⓐ (S) - SUPPLIED WITH STARTER & ALTERNATOR KIT

Ⓑ (E) - EXISTING ENGINE HARDWARE

## HR2/3 ALTERNATOR BELT GUARD

LDI - ALTERNATOR BELT GUARD KIT ..... 997-00044

	DESCRIPTION	PART NO.	QTY
1.	GUARD ASSEMBLY	000-01076	1
2.	NUT - 5/16" UNF	270-00003	2
3.	SPRING WASHER - 5/16"	027-00413	3
4.	DISTANCE PIECE	203-23970	2
5.	SETSCREW - 5/16" UNC X 5/8"	270-00059	1
6.	SETSCREW - 5/16" UNF X 1"	270-00061	1



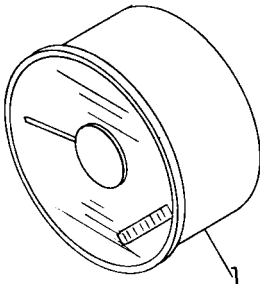
1-2934/14

ALTERNATOR BELT GUARD — HR2/3

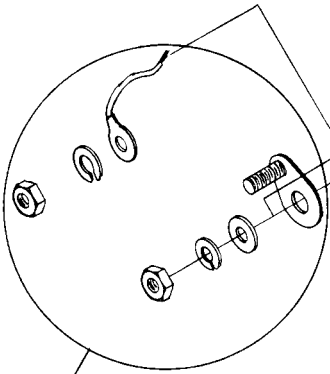
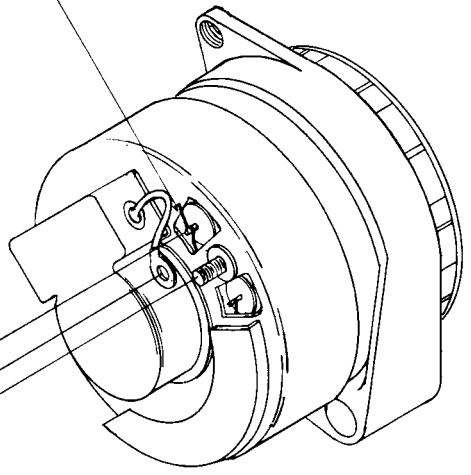
# HR4/6/S6 TACHOMETER WITH HOUR METER

TACHOMETER WITH HOUR METER KIT ..... 998-00013

	DESCRIPTION	PART NO.	QTY
1.	TACHOMETER - Hour Meter	000-00005	1
2.	A. C. TAP	000-00042	1



- A.C. TAP WIRE MUST BE SOLDERED TO DIODE TERMINAL - FOLLOW INSTRUCTIONS SUPPLIED WITH KIT



2

NOTE - HEAD SHIPPED LOOSE

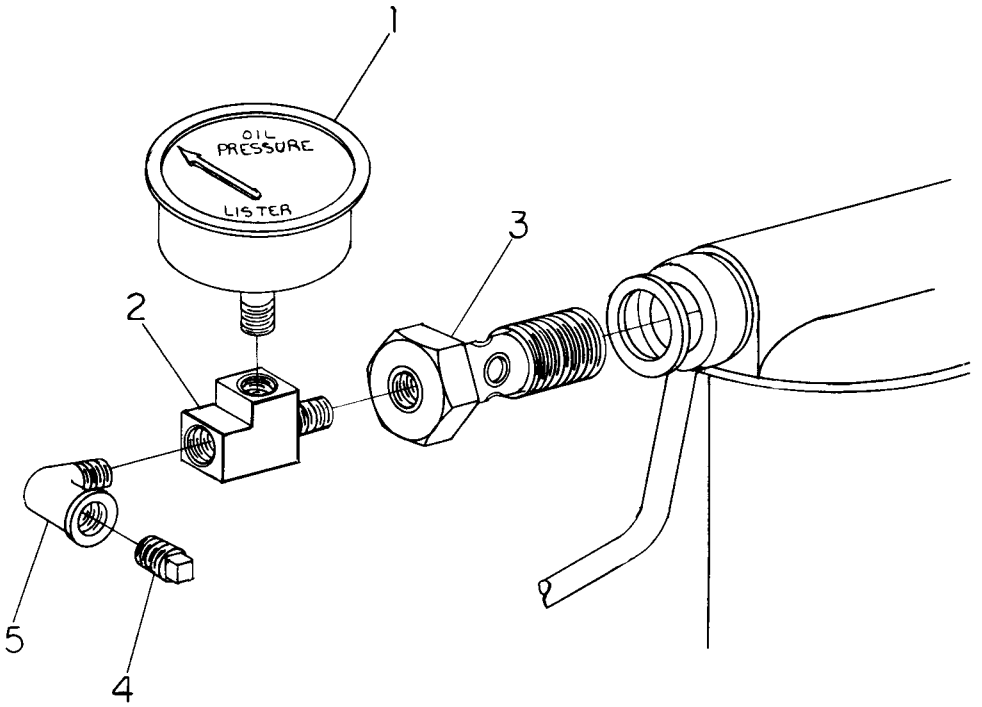
1-2923/15

TACHOMETER WITH HOUR RECORDER - HR2/3

# HR2/3 OIL PRESSURE GAUGE

OIL PRESSURE GAUGE KIT ..... 997-00015

	DESCRIPTION	PART NO.	QTY
1.	GAUGE	000-00635	1
2.	TEE	101-00203	1
3.	PLUG	000-00225	1
4.	PLUG - 1/8" NPT	000-00002	1
5.	STREET ELBOW - 1/8" (Use Only With HR2)	000-00890	1



1-2949/16

OIL PRESSURE GAUGE—HR2/3

# HR2/3 HIGH AIR TEMPERATURE SWITCHES

## HIGH AIR TEMPERATURE SWITCH KIT - N/O - FOR USE WITH ENERGIZED TO STOP ..... 998-00142

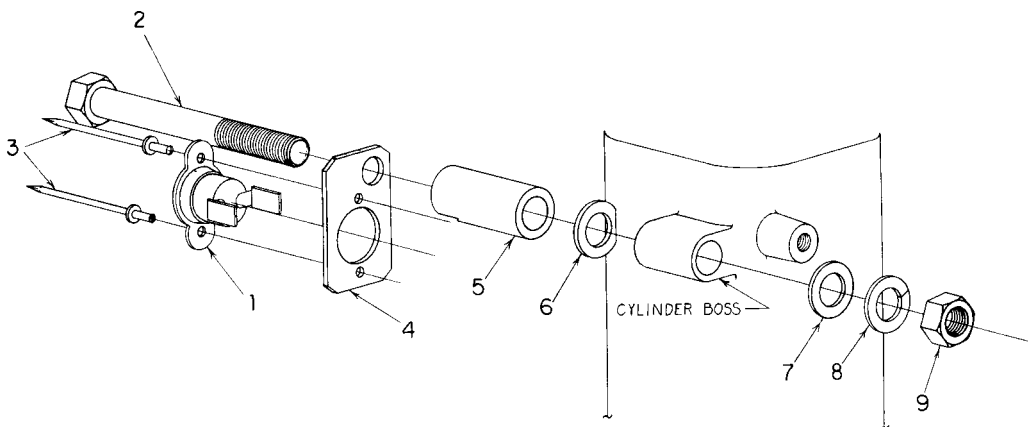
	DESCRIPTION	PART NO.	QTY
1.	SWITCH - Temperature, N/O	000-00688	1

## HIGH AIR TEMPERATURE SWITCH KIT - N/C ..... 998-00134

	DESCRIPTION	PART NO.	QTY
1.	SWITCH - Temperature, N/C	000-00606	1

### ABOVE KITS WITH THE FOLLOWING:

	DESCRIPTION	PART NO.	QTY
1.	SWITCH - Temperature	<b>See Above</b>	1
2.	BOLT - Hex Head, 3/8" UNC X 2-3/4" Lg.	000-00839	1
3.	POP RIVET- 1/8" Short	000-00671	2
4.	MOUNTING BRACKET - Switch	000-00658	1
5.	DISTANCE PIECE - Switch	000-00659	1
6.	PLAIN WASHER - 3/8"	000-00630	1
7.	PLAIN WASHER - 3/8"	027-00184	1
8.	SPRING WASHER - 3/8"	027-00393	1
9.	NUT - 3/8" UNC	101-00605	1



1-2870/9

HIGH AIR TEMPERATURE SWITCHES—HR2/3

